

## WIRING TABLE

### INPUT - J1 (DBMC5H5PJK87)

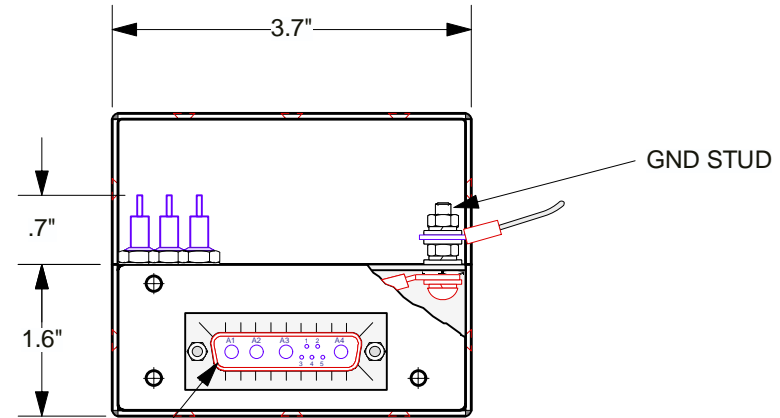
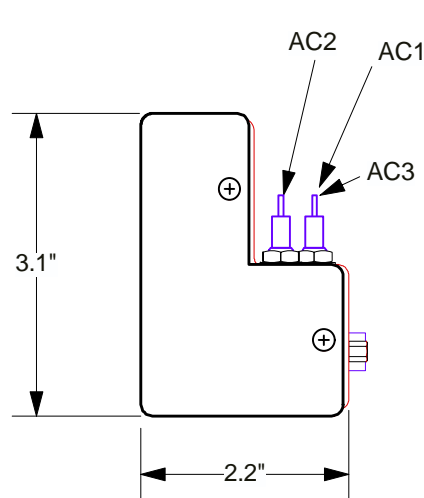
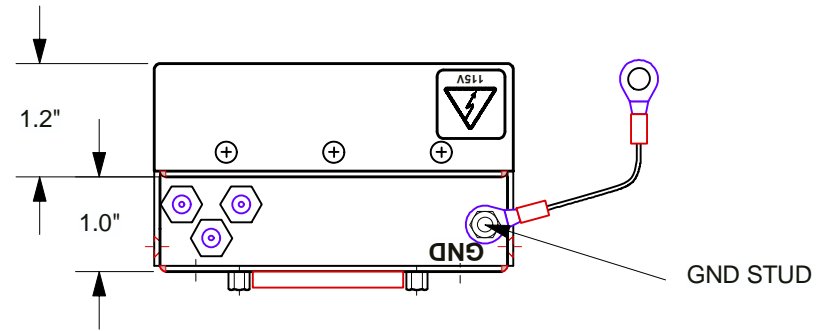
J1-A1	115VAC
J1-A2	115VAC
J1-A3	115VAC
J1-A4	NEUTRAL
J1-A5	CHASSIS GND

### OUTPUT - P1

P1-A1	- AC1	115VAC
P1-A2	- AC2	115VAC
P1-A3	- AC3	115VAC

### OUTPUT - P2

P2-1	- AC1	115VAC
P2-2	- AC2	115VAC
P2-3	- AC3	115VAC



**J1 - INPUT CONNECTOR**

**NOTE:** WEIGHT 1 lb. (0.45 kg.)

3AJØ3

*Viable Power Conversion Technologies Inc.*

DRAWN: J.STEPIEN  
DATE: 25.SEP.98

CHKD:  
DATE:

APPVD:  
DATE:

**115VAC L-L 60Hz 3Ø  
450VA POWER FILTER**

Scale 1 : 2

Sheet 1 of 1

size  
A

Dwg.No. VTA97018-00

Rev  
· ·

This Drawing contains trade secrets and/or confidential information ("Proprietary Information") of Viable Power Conversion Technologies ("VPCT") which, if disclosed, could cause financial loss to, or prejudice the competitive position of, VPCT. The Proprietary Information shall not be used for any purpose other than the evaluation of this proposal. Disclosure of or access to such Proprietary Information may not be made or given to third parties without VPCT's prior written consent.