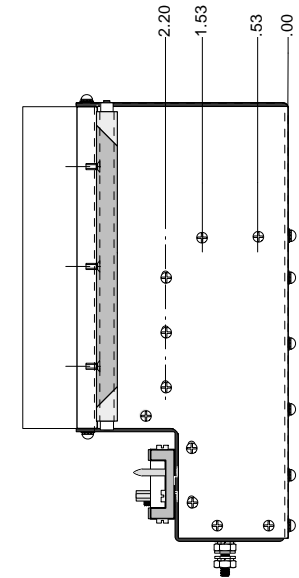
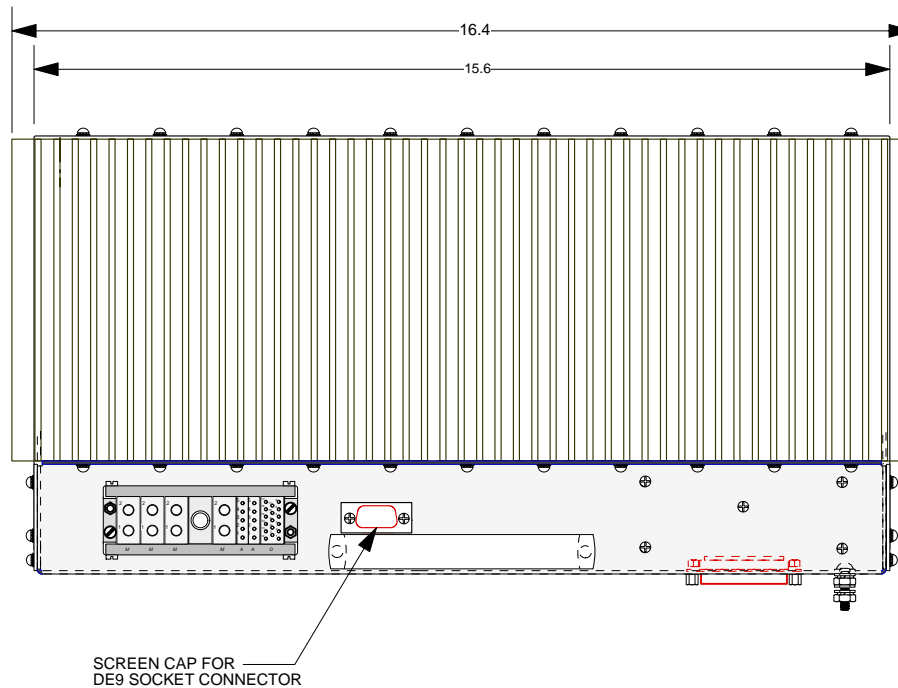
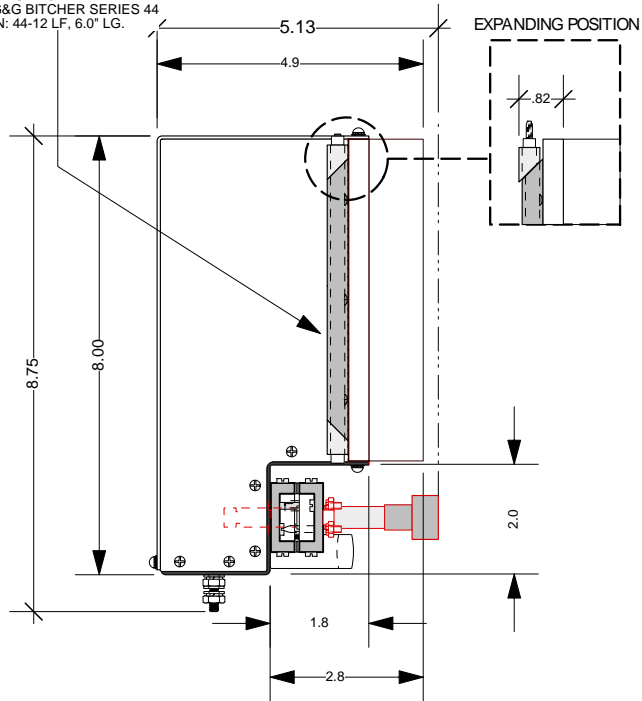


WEDGE-LOK:
EG&G BITCHER SERIES 44
P/N: 44-12 LF, 6.0" LG.



O/P. PIN ASSIGNMENTS

J2 :HYPERTRONICS CONNECTOR L SERIES
LEBV14/ 4MMST/ 2AFST/ 1DFST/ TAH

- J2-D-1 ACOK LED*
- J2-D-2 LOGIC GROUND
- J2-D-3 -12 V / 5 A RTN.
- J2-D-4 -12 V / 5 A
- J2-D-5 ENABLE CONTROL
- J2-D-6 OT LED*
- J2-D-7 DCOK*
- J2-D-8 DCOK LED*
- J2-D-9 ANALOG ENABLE LIVE
- J2-D-10 OVERTEMP 2
- J2-D-11 OVERTEMP 1
- J2-D-12 OVERTEMP 1 RTN.
- J2-D-13 +3.3V SENSE HI
- J2-D-14 +3.3V SENSE LO
- J2-D-15 +5V SENSE HI
- J2-D-16 +5V SENSE LO
- J2-D-17 ENABLE CONTROL RTN.
- J2-A1-1 +12 V / 20 A RTN.
- J2-A1-2 +12 V / 20 A RTN.
- J2-A1-3 +12 V / 20 A RTN.
- J2-A1-4 +24 V / 3 A (FAN) RTN.
- J2-A1-5 +24 V / 3 A RTN.
- J2-A2-1 +12 V / 20 A
- J2-A2-2 +12 V / 20 A
- J2-A2-3 +12 V / 20 A
- J2-A2-4 +24 V / 3 A (FAN)
- J2-A2-5 +24 V / 3 A

I/P PIN ASSIGNMENTS

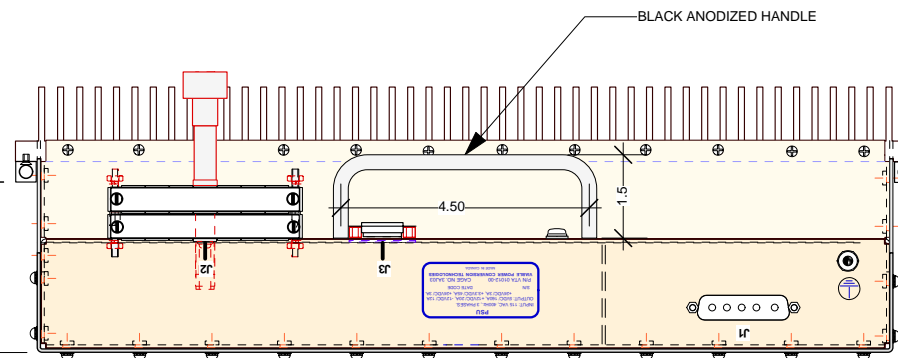
J1 INPUT POWER
DBMK5H5PNK87

- J1 - A 115VAC
- J1 - B 115VAC
- J1 - C 115VAC
- J1 - D N/A
- J1 - E GROUND (Chassis)

J3 TRIM
DEE9SA197

- J3-1 TRIM +12V
- J3-2 N/A
- J3-3 TRIM -12V
- J3-4 N/A
- J3-5 TRIM +5V
- J3-6 TRIM +3.3V
- J3-7 N/A
- J3-8 TRIM 24V
- J3-9 TRIM RETURN

- J2-M1-1 +5V / 160A O/P
- J2-M1-2 +5V / 160A RTN
- J2-M2-1 +5V / 160A O/P
- J2-M2-2 +5V / 160A RTN.
- J2-M3-1 +5V / 160A O/P
- J2-M3-2 +5V / 160A RTN.
- J2-M4-1 +3.3V / 45A O/P
- J2-M4-2 +3.3V / 45A O/P RTN.



1.145 MAX.

WEIGHT: 15.75 LB

UNLESS OTHERWISE SPECIFIED
DIMENSIONS IN INCHES.
TOLERANCES ON:
Hole Diam ±.003 Angles ± 2°
Decimals .XXX ±.005
.XX ±.02

<i>Viable Power Conversion Technologies Inc.</i>		3AJ03
DRAWN: M. ZADAH	DATE: 12 JUN. 2002	INPUT: 115 VAC, 400Hz., 3 PHASES. OUTPUT: 5VDC/ 120A, +12VDC/ 20A, -12VDC/ 12A +24VDC/ 3A, +3.3VDC/ 45A, +24VDC/ 3A.
CHKD:	DATE:	
APPVD:	DATE:	
DATE:	DATE:	
Scale 1 : 3.5	Sheet 1 of 1	size A
Dwg.No.: VOI 01011-04		Rev. -

This Drawing contains trade secrets and/or confidential information ("Proprietary Information") of Viable Power Conversion Technologies ("VPCT") which, if disclosed, could cause financial loss to, or prejudice the competitive position of, VPCT. The Proprietary Information shall not be used for any purpose other than the evaluation of this proposal. Disclosure of or access to such Proprietary Information may not be made or given to third parties without VPCT's prior written consent.